

PS2-4000 C-SJ17-4

Solar Submersible Pump System for 6" wells

System Overview

Head max. 45 m
Flow rate max. 26 m³/h

Technical Data

Controller PS2-4000

- Controlling and monitoring
- Control inputs for dry running protection, remote control etc.
- Protected against reverse polarity, overload and overtemperature
- Integrated MPPT (Maximum Power Point Tracking)
- Integrated Sun Sensor

Power max. 4,0 kW
Input voltage max. 375 V
Optimum Vmp** > 238 V
Motor current max. 14 A
Efficiency max. 98 %
Ambient temp. -40...50 °C
Enclosure class IP68

Motor ECDRIVE 4000-C

- Maintenance-free brushless DC motor
- Water filled
- Premium materials, stainless steel: AISI 304/316
- No electronics in the motor

Rated power 4,0 kW
Efficiency max. 92 %
Motor speed 900...3.300 rpm
Insulation class F
Enclosure class IP68
Submersion max. 150 m

Pump End PE C-SJ17-4

- Non-return valve
 - Premium materials, stainless steel: AISI 304
 - Centrifugal pump
- Efficiency max. 69 %



Pump Unit PU4000 C-SJ17-4 (Motor, Pump End)

Borehole diameter min. 6,0 in
Water temperature max. 50 °C

Standards



2006/42/EC, 2004/108/EC, 2006/95/EC

IEC/EN 61702:1995, IEC/EN 62253 Ed.1

The logos shown reflect the approvals that have been granted for this product family. Products are ordered and supplied with the approvals specific to the market requirements.

**Vmp: MPP-voltage under Standard Test Conditions (STC): 1000 W/m² solar irradiance, 25 °C cell temperature

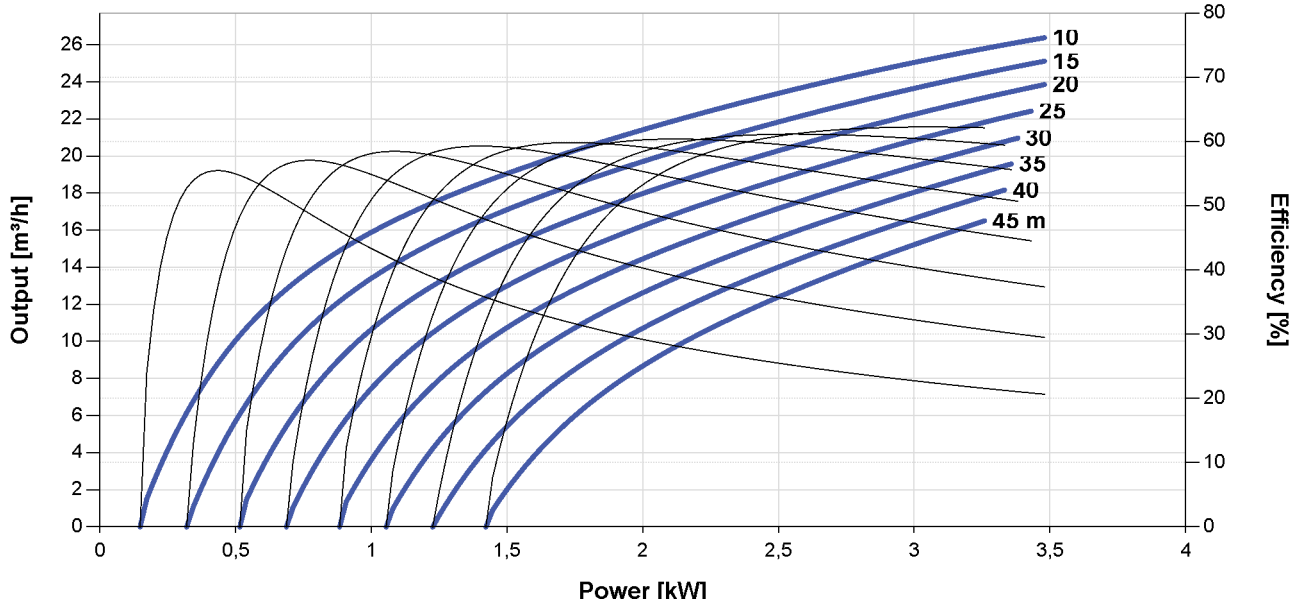


PS2-4000 C-SJ17-4

Solar Submersible Pump System for 6" wells

Pump Chart

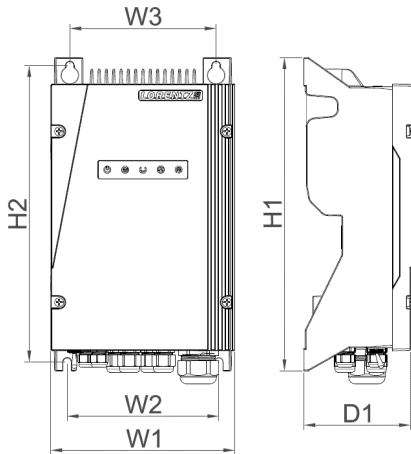
Vmp* > 238 V



Dimensions and Weights

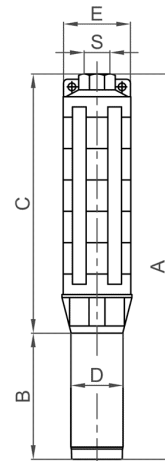
Controller

H1 = 352 mm
 H2 = 333 mm
 W1 = 207 mm
 W2 = 170 mm
 W3 = 164 mm
 D1 = 124 mm



Pump Unit

A = 754 mm
 B = 245 mm
 C = 509 mm
 D = 96 mm
 E = 133 mm
 S = 2,5 in



	Net weight
Controller	6,1 kg
Pump Unit	21 kg
Motor	10 kg
Pump End	11 kg

*Vmp: MPP-voltage under Standard Test Conditions (STC): 1000 W/m² solar irradiance, 25 °C cell temperature

